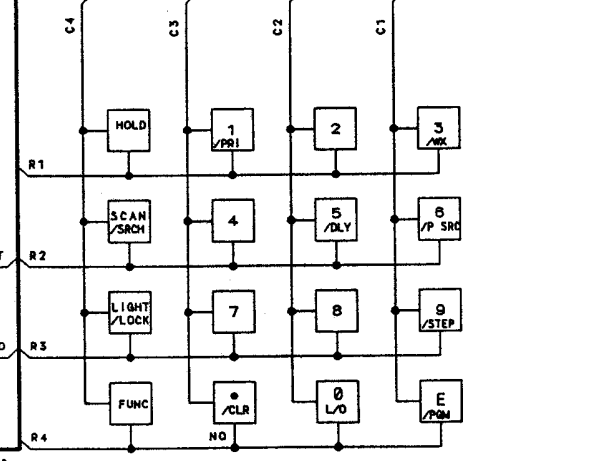
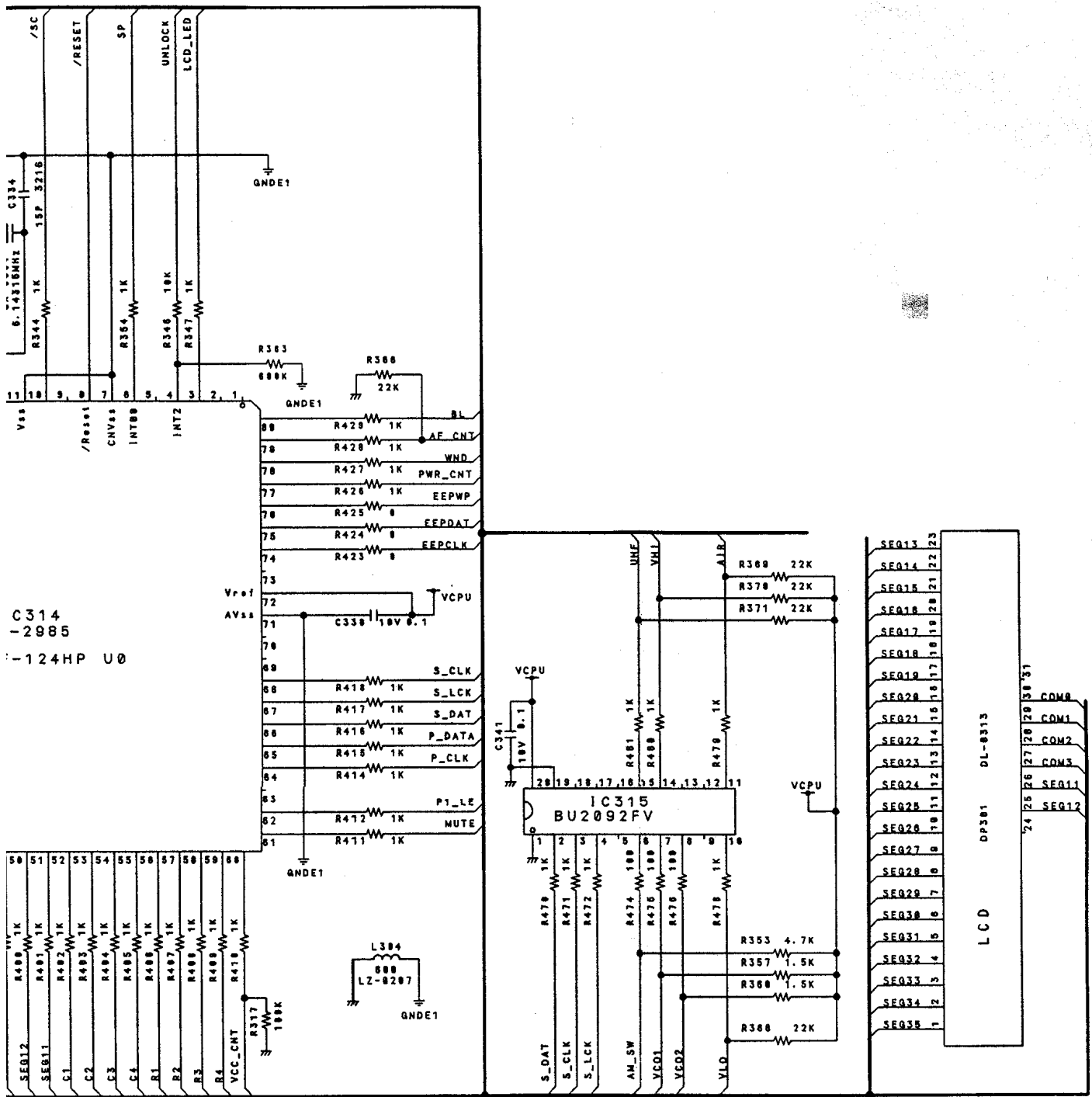


IC314
UC-2985
M38C59MF-1241

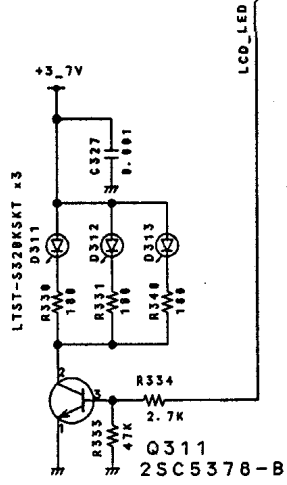
COM8	R307	10K	21
COM1	R488	10K-F	22
COM2	R381	1K	23
COM3	R382	1K	24
SEQ35	R384	1K	25
SEQ34	R385	1K	26
SEQ33	R374	1K	27
SEQ32	R375	1K	28
SEQ31	R376	1K	29
SEQ30	R377	1K	30
SEQ29	R378	1K	31
SEQ28	R379	1K	32
SEQ27	R381	1K	33
SEQ26	R382	1K	34
SEQ25	R383	1K	35
SEQ24	R384	1K	36
SEQ23	R385	1K	37
SEQ22	R386	1K	38
SEQ21	R391	1K	39
SEQ20	R392	1K	40
SEQ19	R393	1K	41
SEQ18	R394	1K	42
SEQ17	R395	1K	43
SEQ16	R396	1K	44
SEQ15	R397	1K	45
SEQ14	R398	1K	46
SEQ13	R399	1K	47
SEQ12	R400	1K	48
SEQ11	R401	1K	49
	R402	1K	50
			51
			52



MAIN_BUS



IC314
-2985
-124HP U0



- NOTES:
1. RESISTANCE VALUES ARE SHOWN IN OHMS UNLESS OTHERWISE NOTED. (K=KILO OHM, M=MEG OHM)
 2. RESISTOR WATTAGES ARE 1/10W [1005] UNLESS OTHERWISE NOTED.
 3. CAPACITANCE VALUES ARE INDICATED IN MICRO FARAD UNLESS OTHERWISE NOTED. (P=MICRO-MICRO FARAD)
 4. ALL CAPACITORS TEMPERATURE CHARACTERISTICS ARE [CH] (LESS THAN 1000PF) OR [B] (MORE THAN 1000PF) UNLESS OTHERWISE NOT
 5. ALL CAPACITORS ARE RATED 50V UNLESS OTHERWISE N
 6. CHIP CAPACITORS TYPE ARE [1005] UNLESS OTHERWISE
 7. RESISTOR TOLERANCES ARE J UNLESS OTHERWISE NOTE

DESIGN	DRAWN BY	UNIDEN No.	MODEL No.
'84/11/8	'84/11/8	UB323C	AE72H
KUROKI	KUROKI	TITLE KEY ASS'Y SCHEMATIC DIA	
CHECK BY	APPRO BY	DRAWING No.	
REV. No	UNIDEN CORP.		