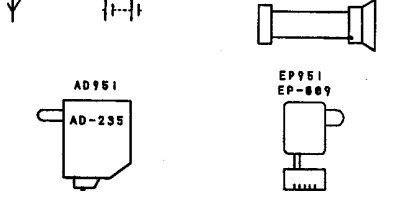
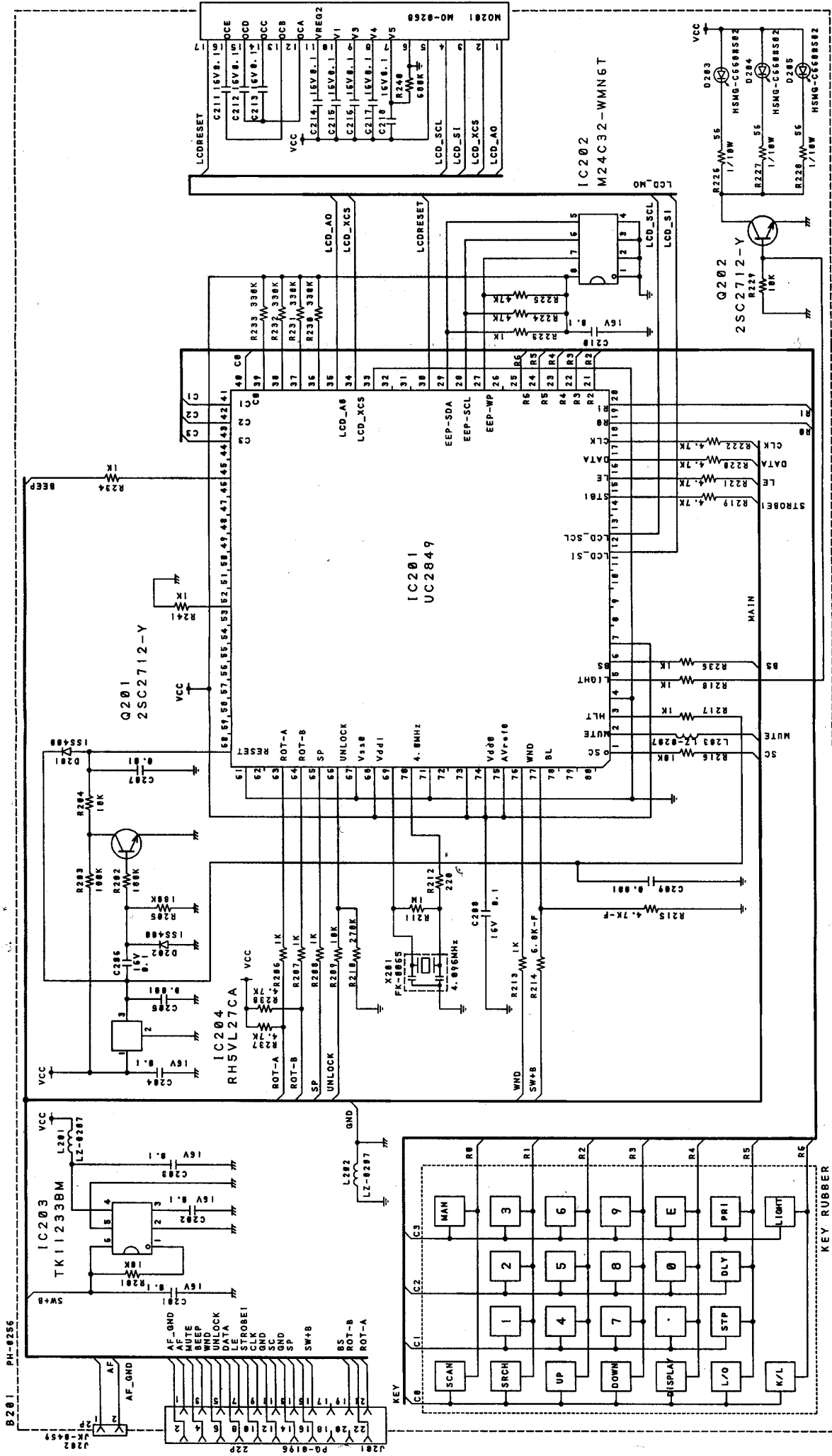


951 BT501
 -396 BT-301
 W501 SP501
 W-872119 SP-0400



- NOTES:
1. RESISTANCE VALUES ARE SHOWN IN OHMS UNLESS OTHERWISE NOTED. (K=KILO OHM, M=MEG OHM)
 2. RESISTOR WATTAGES ARE [1/16W] UNLESS OTHERWISE NOTED.
 3. CAPACITANCE VALUES ARE INDICATED IN MICRO FARADS UNLESS OTHERWISE NOTED. (P=MICRO-MICRO FARAD)
 4. ALL CAPACITORS TEMPERATURE CHARACTERISTICS ARE [CH] (LESS THAN 820PF) OR [B] (MORE THAN 1000PF) UNLESS OTHERWISE NOTED.
 5. CAPACITOR TYPE ARE [1600] 50V UNLESS OTHERWISE NOTED.

DESIGN	DRAWN BY	UNIDEN No.	MODEL No.
'88/4/13	'83/4/17	UB302B	AE188H
M. KOMA	Y. HOSHI	TITLE MAIN ASS'Y	
CHECK BY	APPRO. BY	SCHEMATIC DIAGRAM	
		DRAWING No.	
REV. No.		UNIDEN CORP.	



- NOTES:
1. RESISTANCE VALUES ARE SHOWN IN OHMS UNLESS OTHERWISE NOTED. (K=KILO OHM, M=MEG OHM)
 2. RESISTOR WATTAGES ARE [1/16W] UNLESS OTHERWISE NOTED.
 3. CAPACITANCE VALUES ARE INDICATED IN MICRO FARADS UNLESS OTHERWISE NOTED. (P=PICTO-MICRO FARAD) ARE [CH] (LESS THAN 820PF) OR [B] (MORE THAN 1000PF) UNLESS OTHERWISE NOTED.
 4. ALL CAPACITORS TEMPERATURE CHARACTERISTICS ARE [1600] UNLESS OTHERWISE NOTED.
 5. CHIP CAPACITORS TYPE ARE [1608] 50V UNLESS OTHERWISE NOTED.

DESIGN	DRAWN BY	UNIDEN No.	MODEL No.
'88/4/18	Y. HOSHI	UB302B	AE180H
CHECK BY	APPROV BY	TITLE	MICOM ASS'Y
			SCHEMATIC DIAGRAM
		DRAWING No.	
REV. No.			UNIDEN CORP.