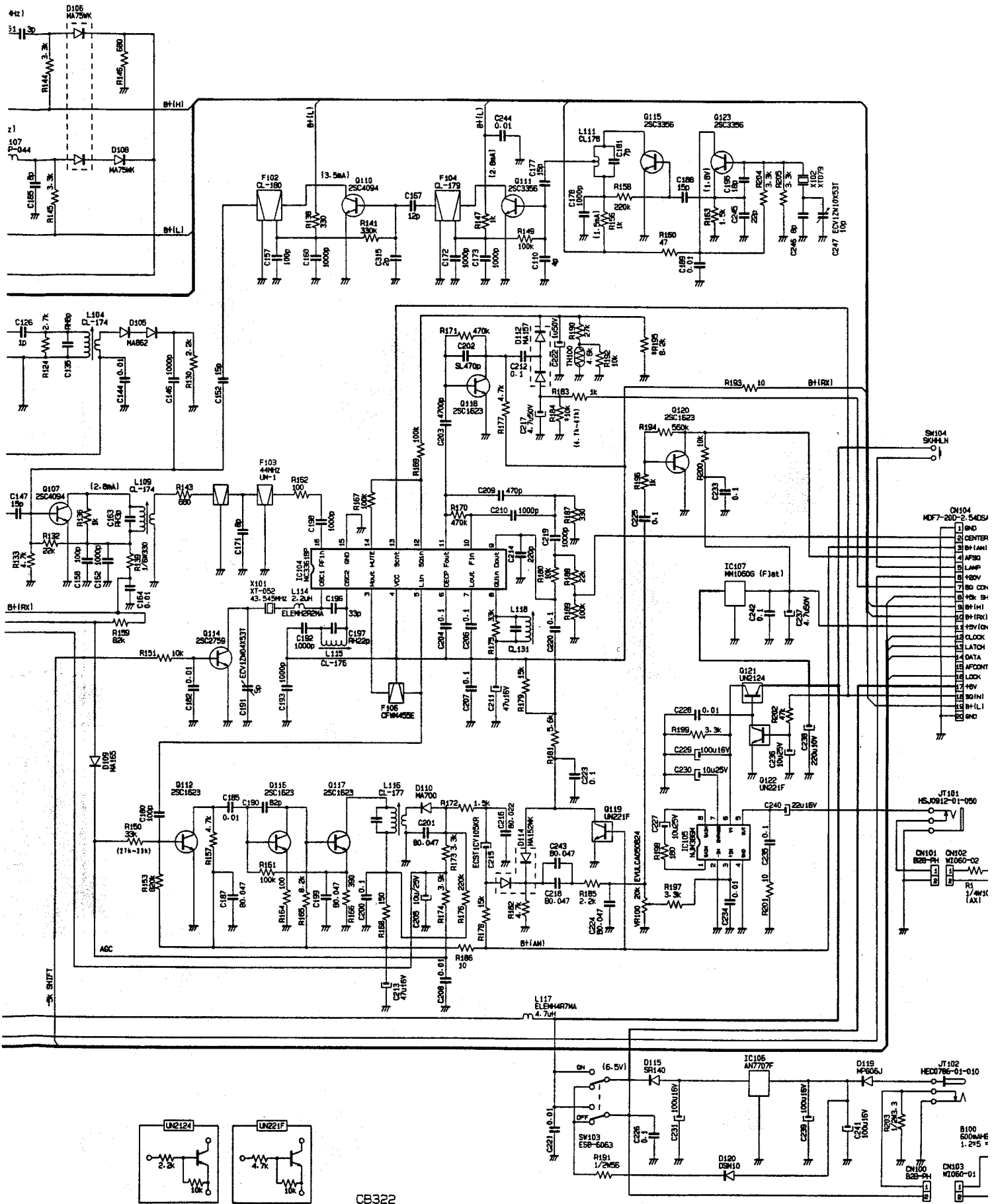
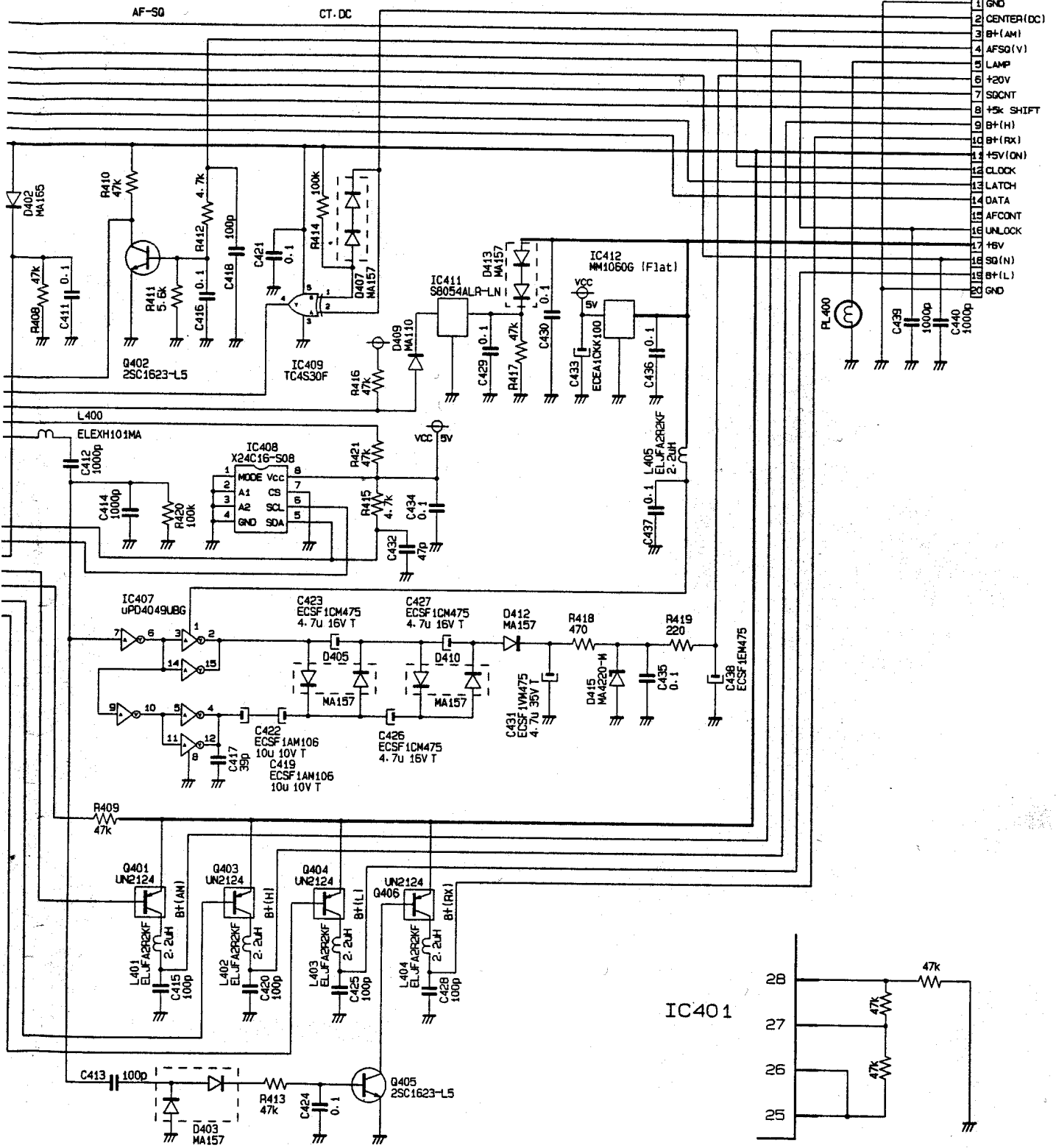


95-01-18	ES-A501	補遺	Tolerance
94-08-12	ES-4043, ES-4045	補遺	Title
94-07-18	ES-4038	補遺	
94-03-18	回路変更	補遺	
DATE	REVISION	SIZE	Drawn By
Checked by	Planned by	Drawn by	Material
	Y. TANASE	A. KUROSAWA	
	92.07.03	92.08.10	
Part No.		SD-0017A	
Scale			
Unit		mm	
P&G		P&G	

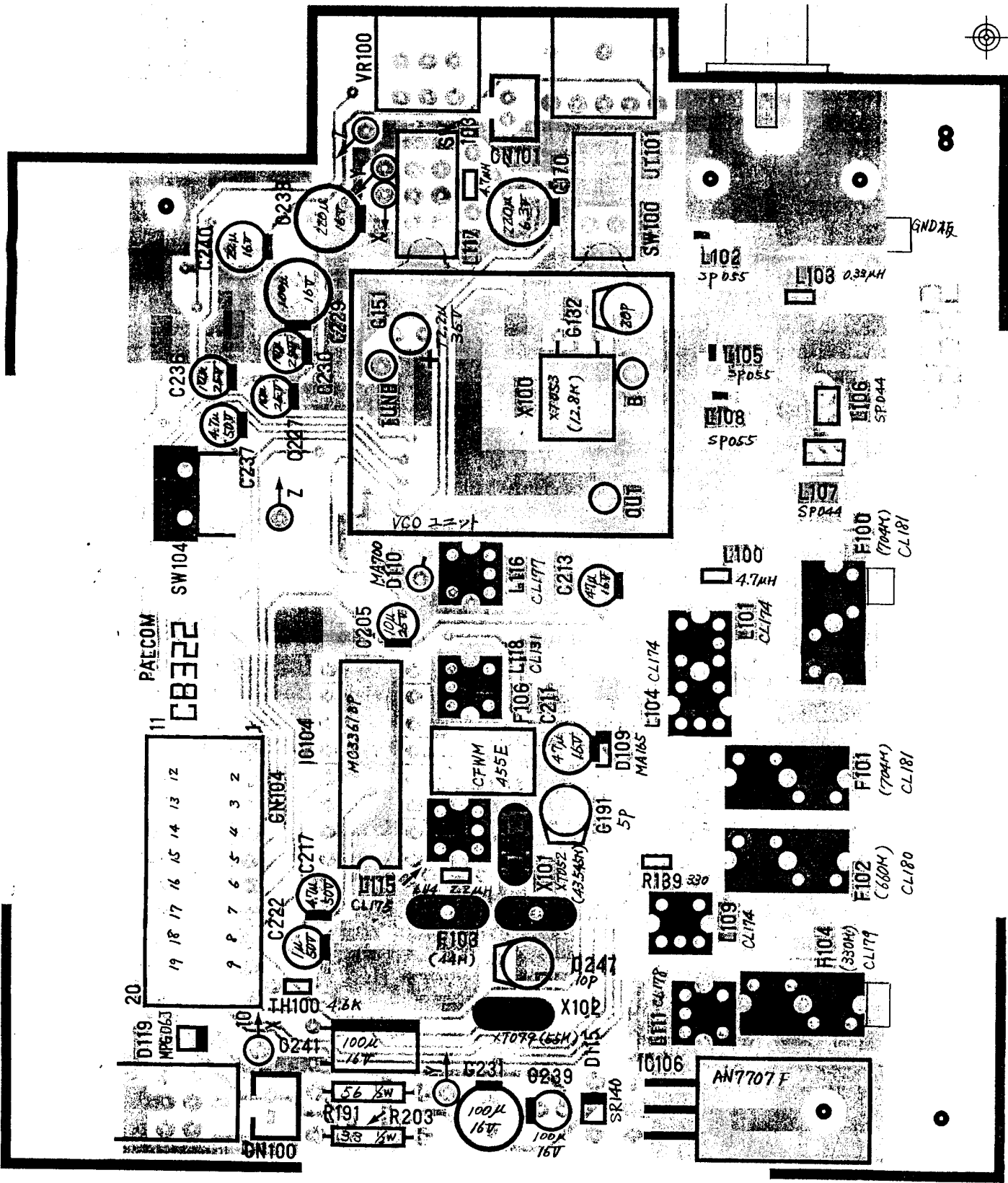
L102	SP-055	#0.6	ノット線	P=3	L=8.0
L105	SP-055	#0.6	ノット線	P=3	L=8.0
L108	SP-055	#0.6	ノット線	P=3	L=9.0
L108	SP-044	#0.5	UEW	φ3.0	2.51
L107	SP-044	#0.5	UEW	φ3.0	2.51



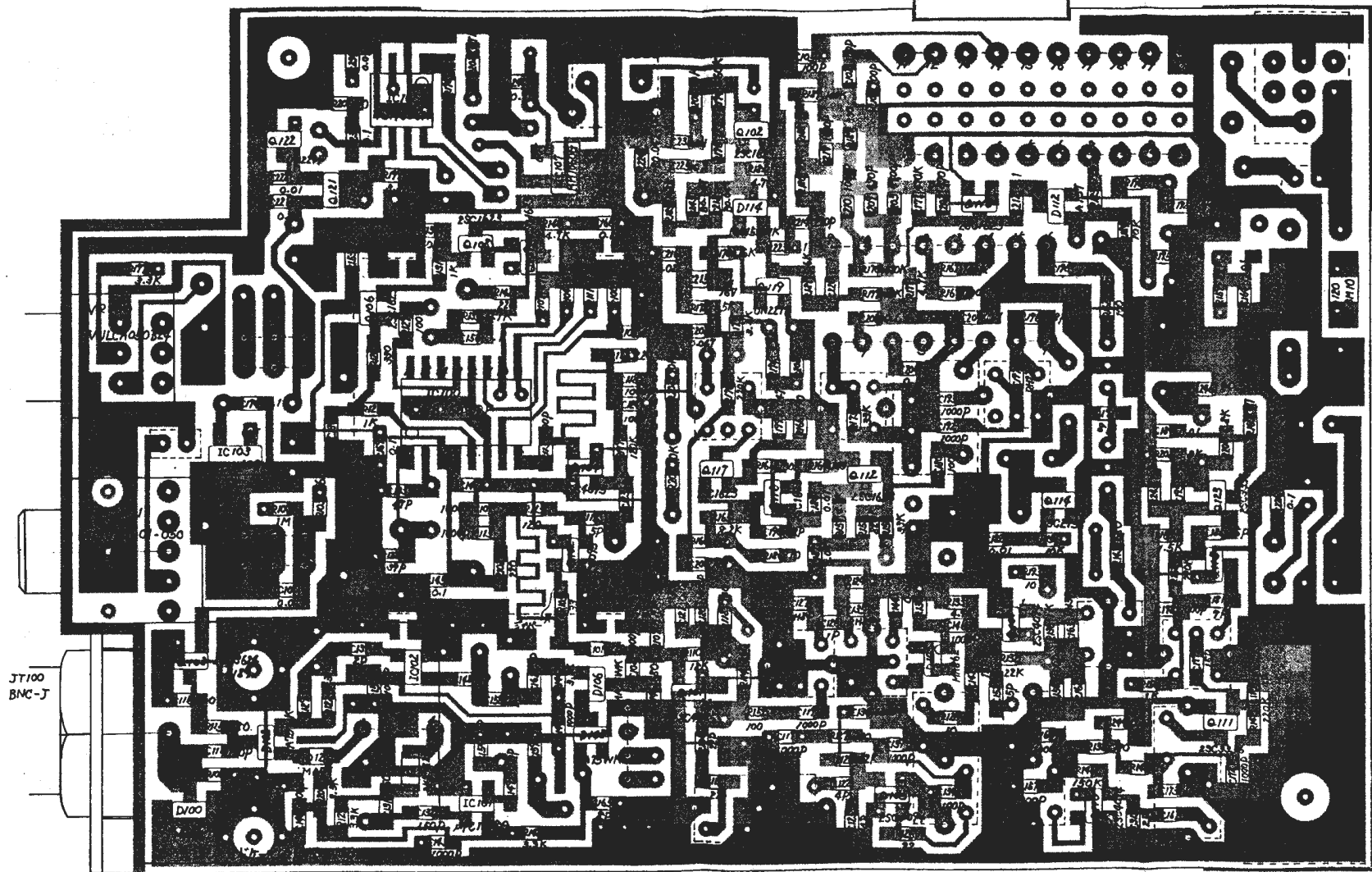
CB322



				Tolerance	
				Title BJ-1300/Digit	
				SCHEMATIC DIAGRAM	
94-03-18 定数変更				棚瀬	
DATE		REVISION		SIGN	
Checked By	Planned By	Drawn By	Material	Drawn No. SD-0013-B	
	91-12-25	92-01-28	Finish	Part No.	
	Y. TANASE	A. KUROSAWA		Scale	
				Unit	Angle
				mm	3r



BJ1300
 MAIN PCB COMPONENT SIDE
 CB 322 - B

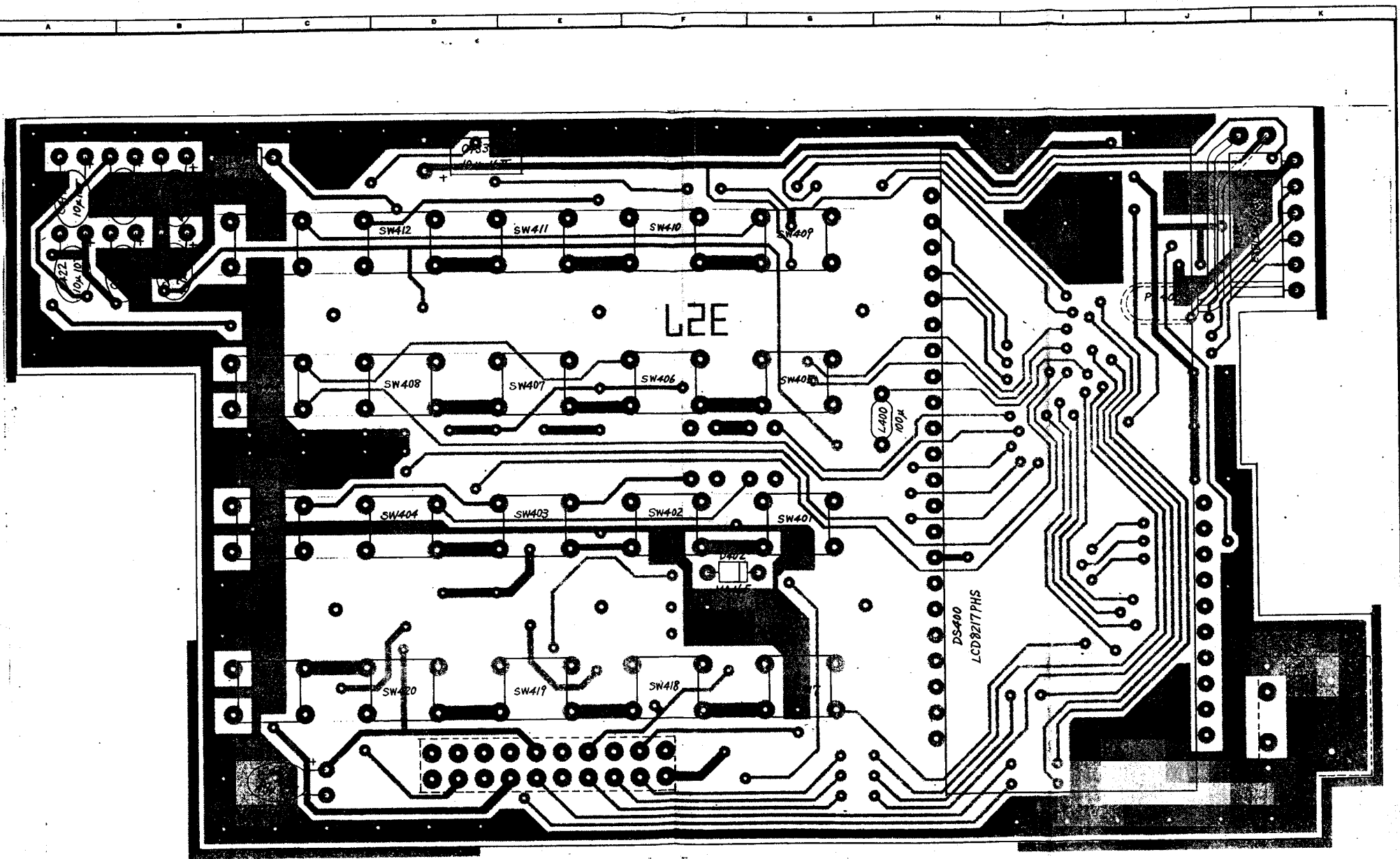


JT100
BNC-J

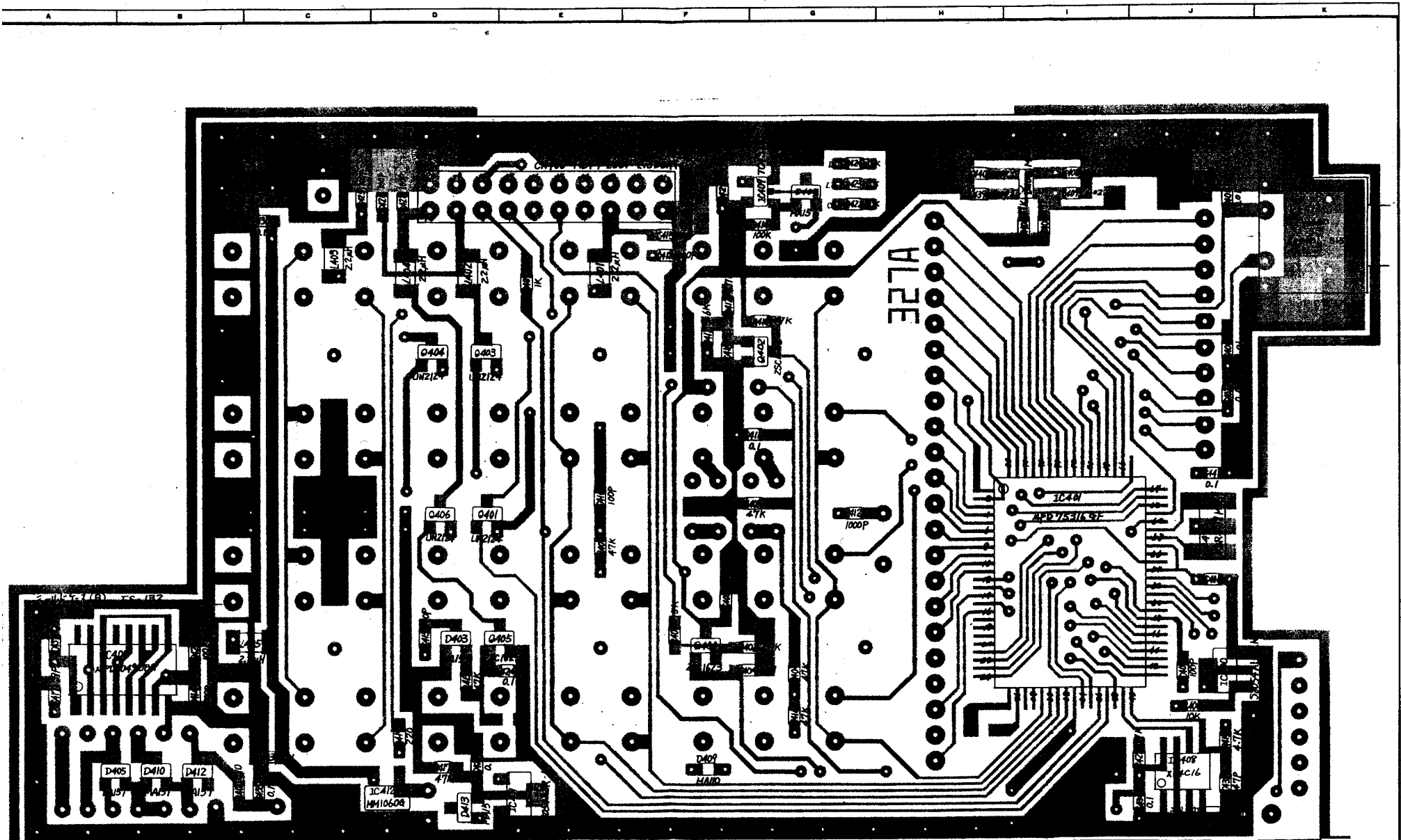
IC101, 102
out 2 3 Vec
GND 1 4 in

Q101, 102, 104
105, 110, 107
E 2 3 B
C 1 4 E

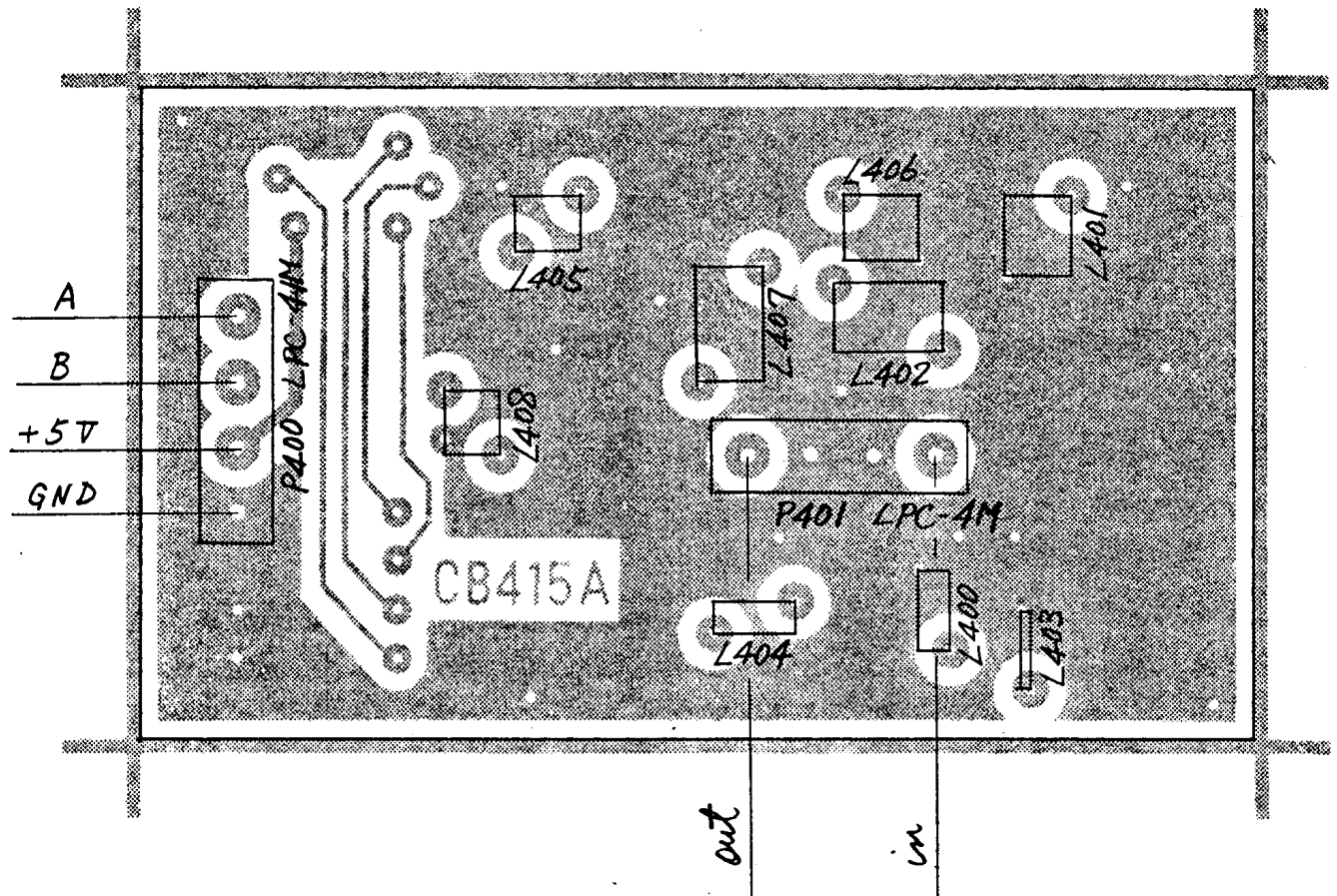
DATE		REVISION		SIGN	
ORDERED BY	PLANNED BY	DRAWN BY	MATERIAL	TOLERANCE	
194.9.10			TITLE		BJ1300
			DRAWN NO.		MAIN PCB SOLDER SIDE
			PART NO.		CB322-B
			SCALE		UNIT mm
					ANGLE 3rd



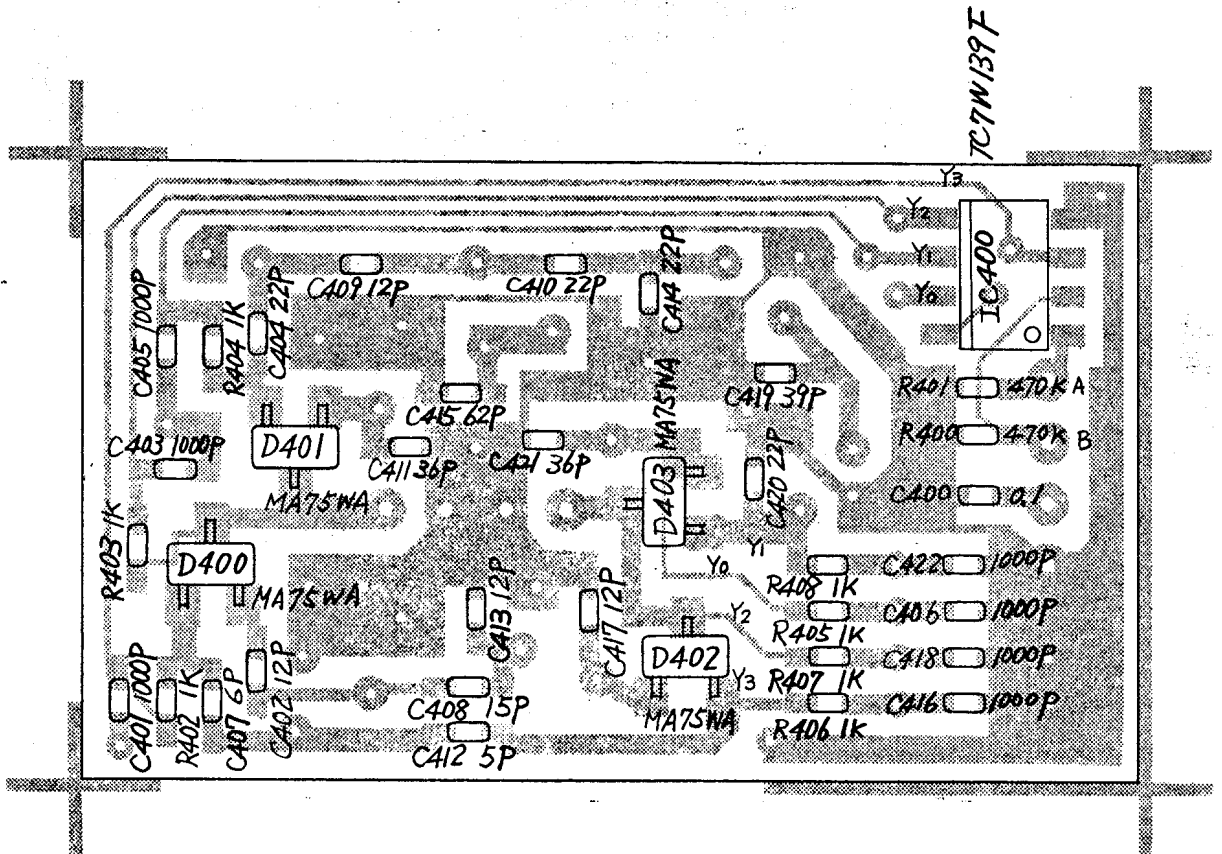
TOLERANCE		TITLE	
		BJ1300	
DRAWN NO.		DIGITAL PCB	
DATE		COMPONENT SIDE	
DESIGNED BY	PLANNED BY	REVISION	SIGN
CHECKED BY	DRAWN BY	MATERIAL	PART NO.
	桐瀬		CB 327-A
	44.4.8	FINISH	UNIT
			mm - 3rd



TOLERANCE		TITLE	
		BJ1300	
DATE		DRAWN NO.	
30.5.10		CB 327-A	
CHECKED BY	PLANNED BY	DRAWN BY	MATERIAL
		潮来	
SIGN		SCALE	
		UNIT mm	
		ANGLE 3rd	

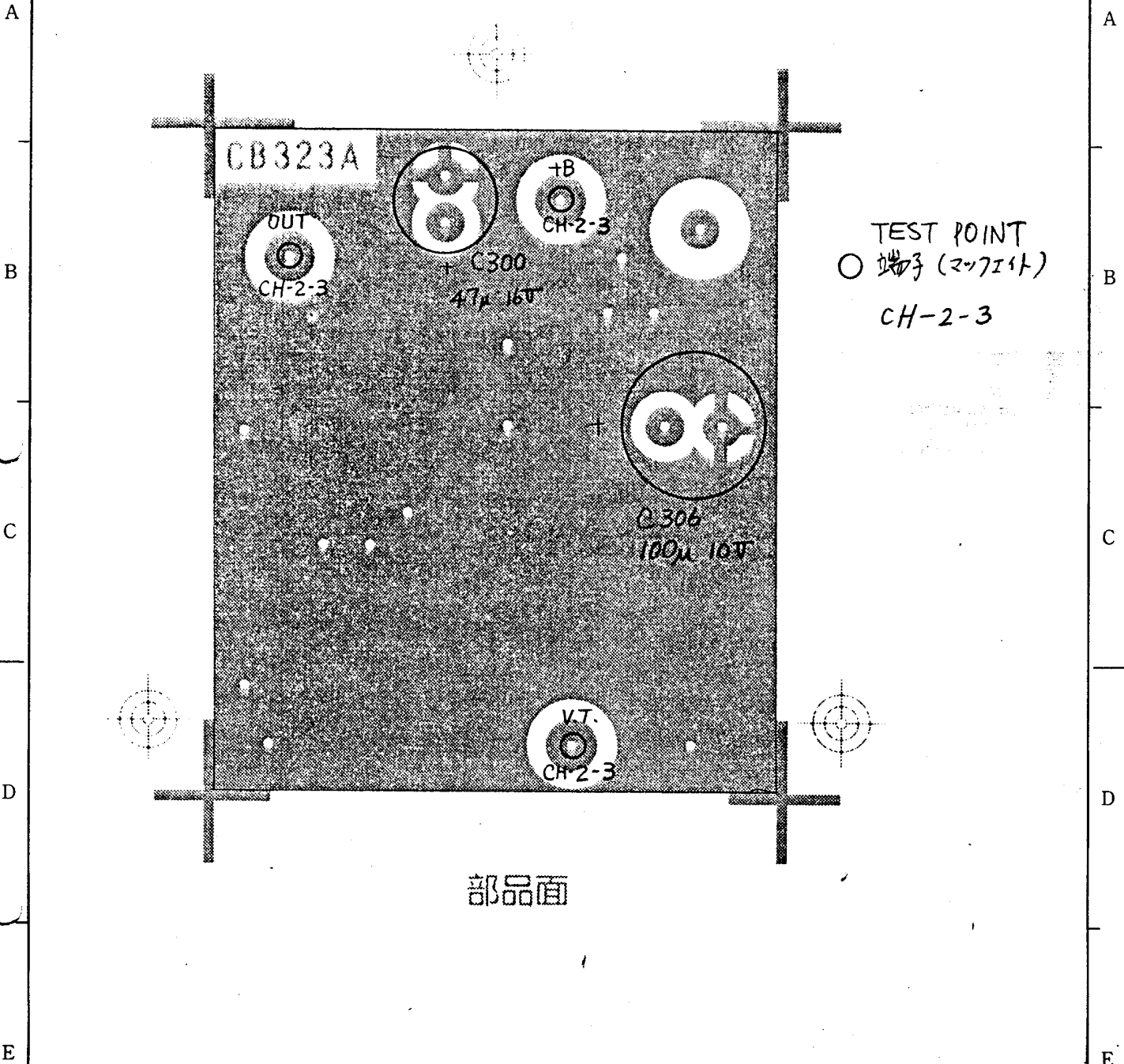


BJ 1300
 FILTER PCB
 COMPONENT SIDE
 CB 415-A



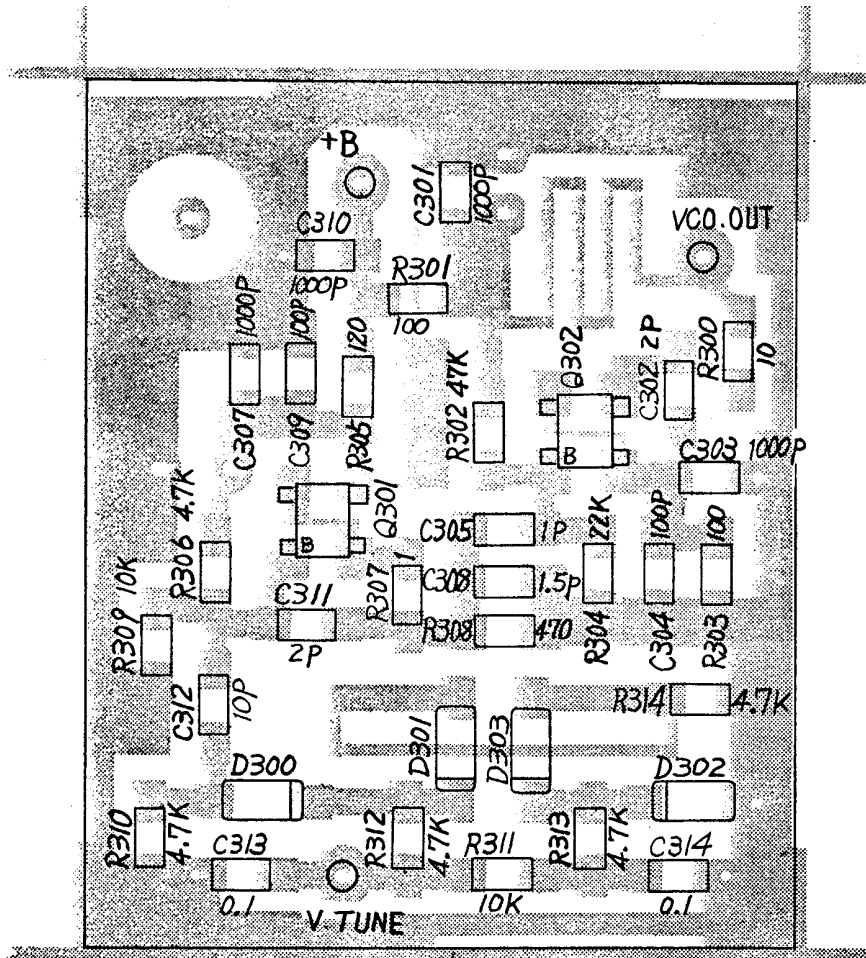
BJ 1300
 FILTER PCB
 SOLDER SIDE
 CB 415 - A

1 2 3 4



部品面

					TOLERANCE
△					TITLE BJ1300
△					TCO PCB COMPONENT SIDE
△					DRAWN NO.
	DATE	REVISION		SIGN	PART NO. CB323-A
CHECKED BY	PLANNED BY	DRAWN BY 棚瀬	MATERIAL		SCALE
		91.12.24	FINISH		UNIT mm ANGLE 3rd



D300, 301, 302, 303 MA321

Q300, 301 2SC4095

BJ1300

VCO PCB SOLDER SIDE

CB323-A