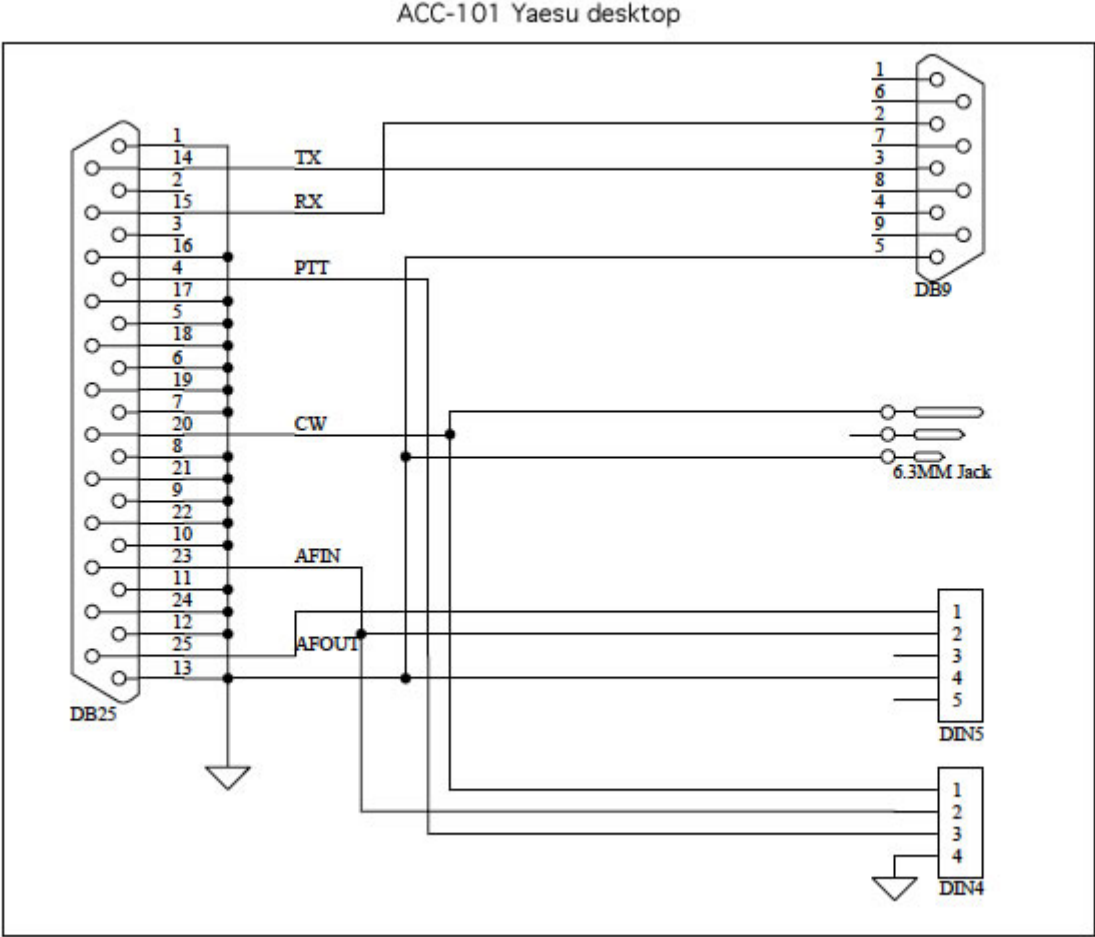


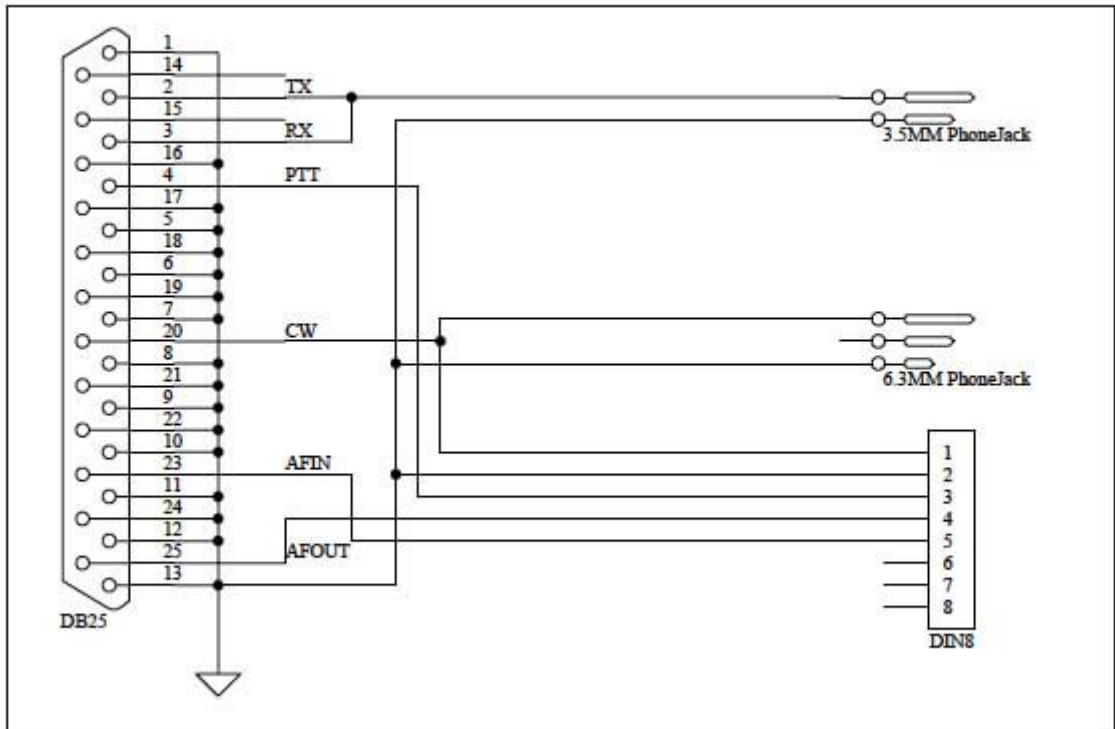
SB-2000 – weitere Informationen

FT-1000MP(MK-V, MK-V field), FT-2000, FT-9000(DX)



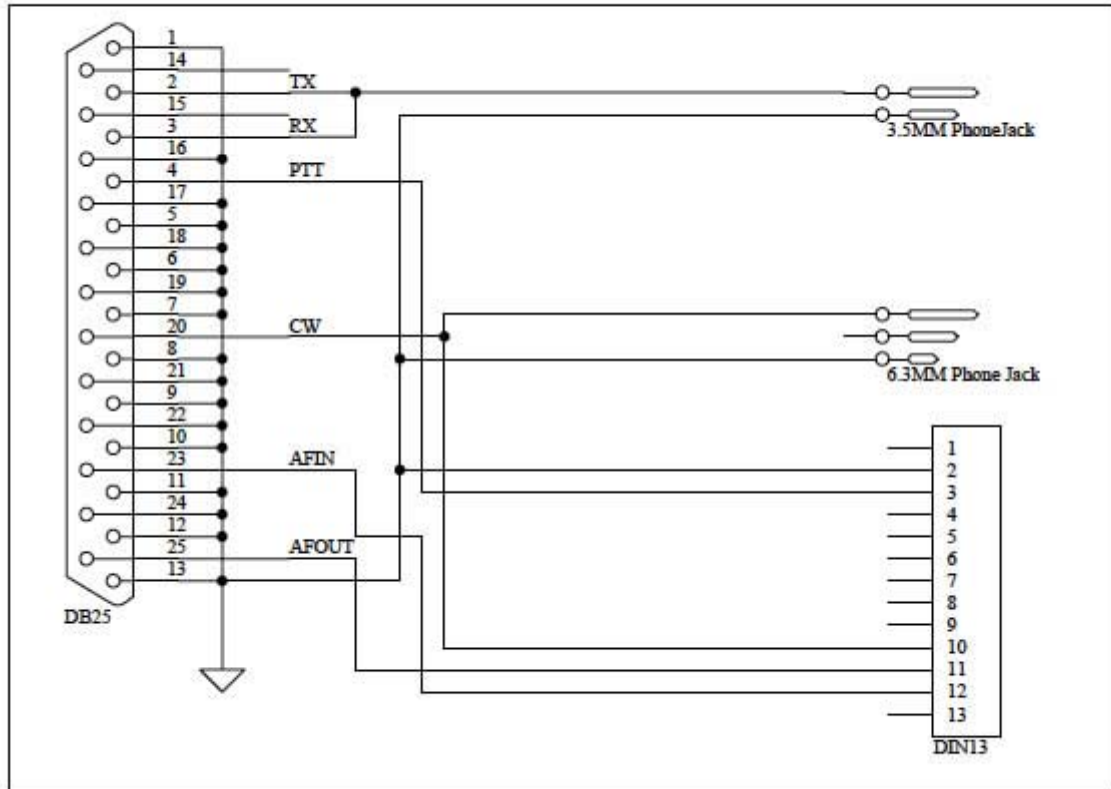
IC-746, IC-7400, IC-756, IC-7600, IC-7700, IC-7800

ACC-102 ICOM desktop



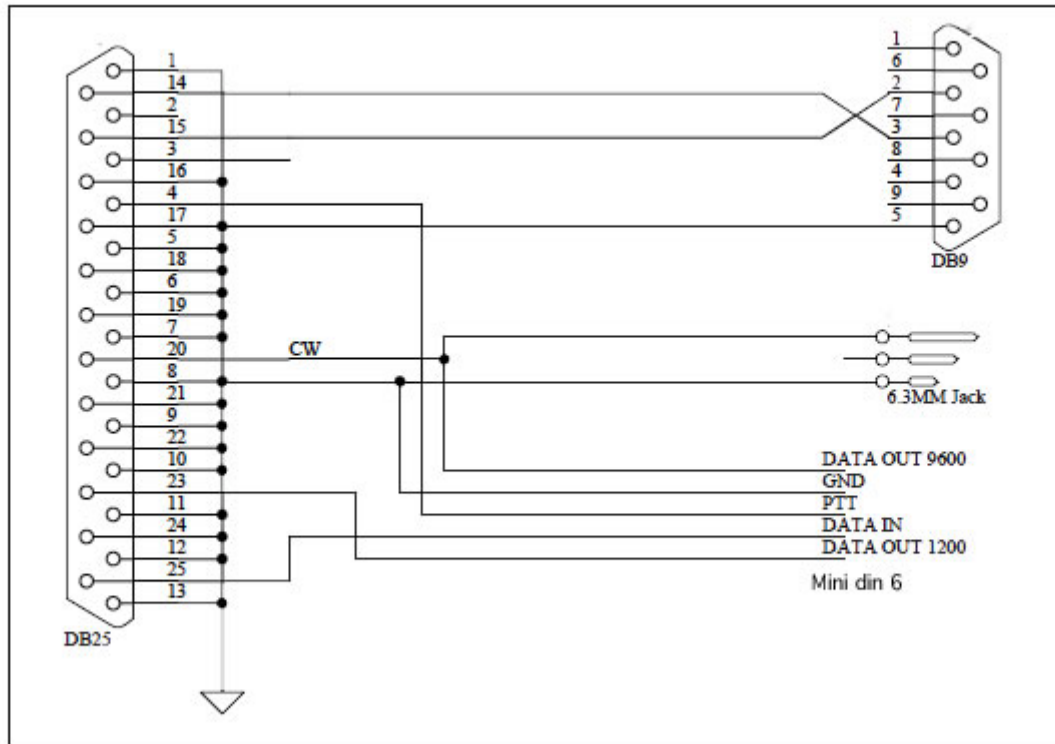
IC-703, IC-706(MK2, MK2G), IC-718, IC-78, IC-7000, IC-7200

ACC-103 ICOM Mobile



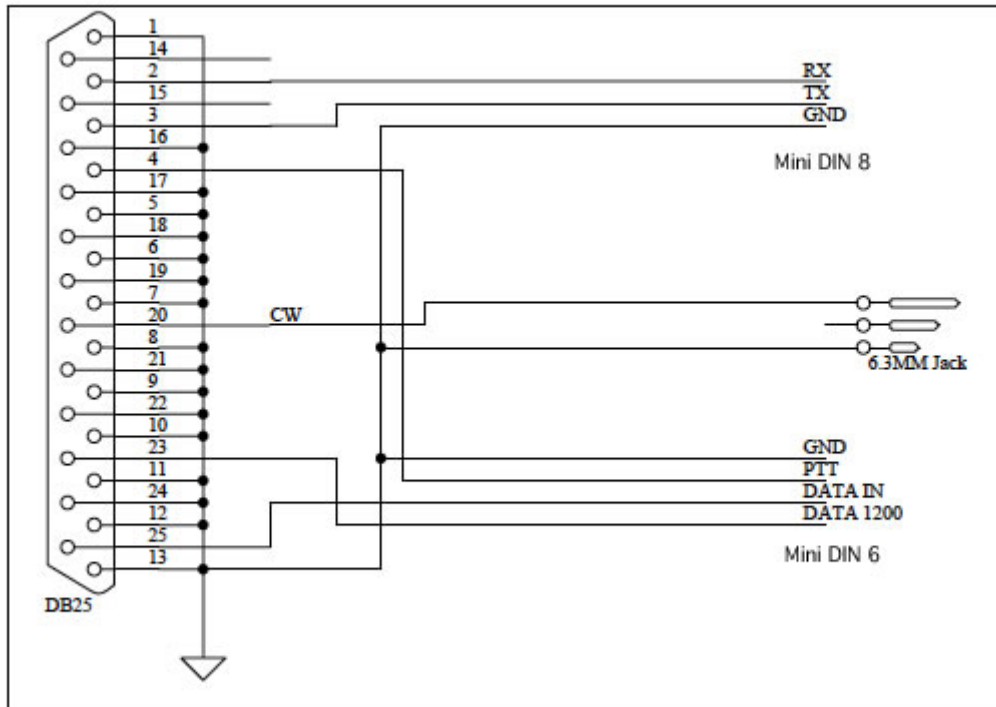
FT-450, FT-950

ACC-104 Yaesu MDIN COM



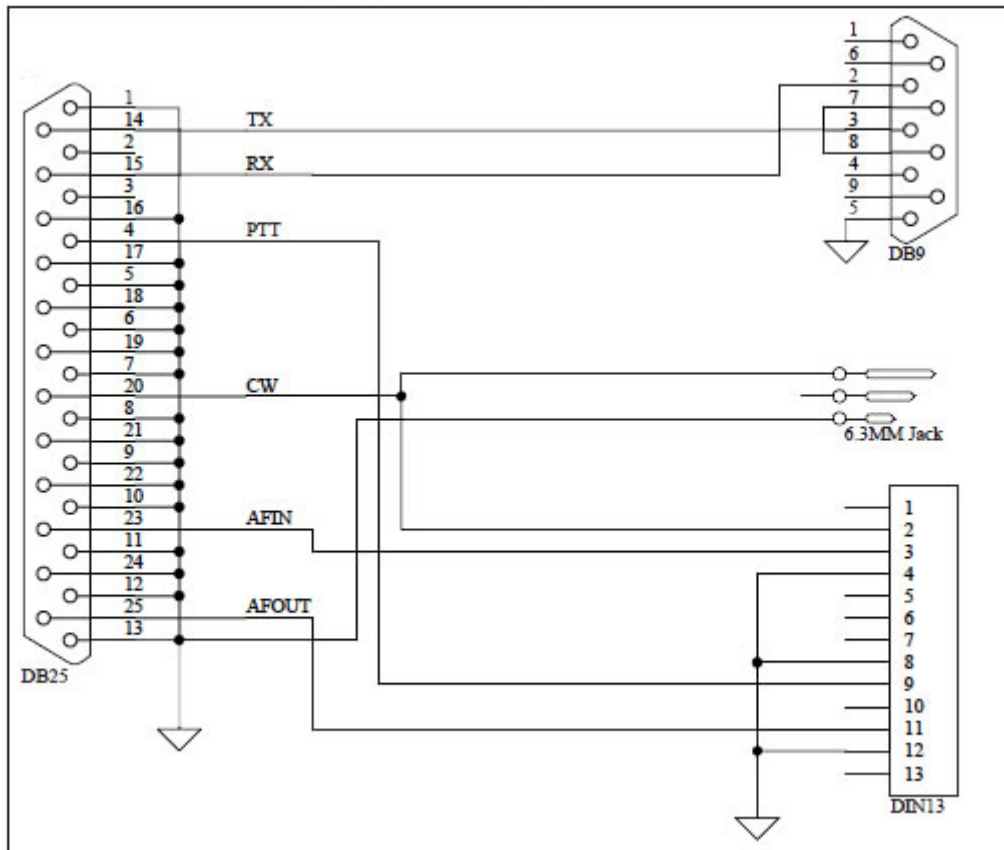
FT-100(D), FT-817, FT-857(D), FT-897(D)

ACC-105 Yaesu MDIN



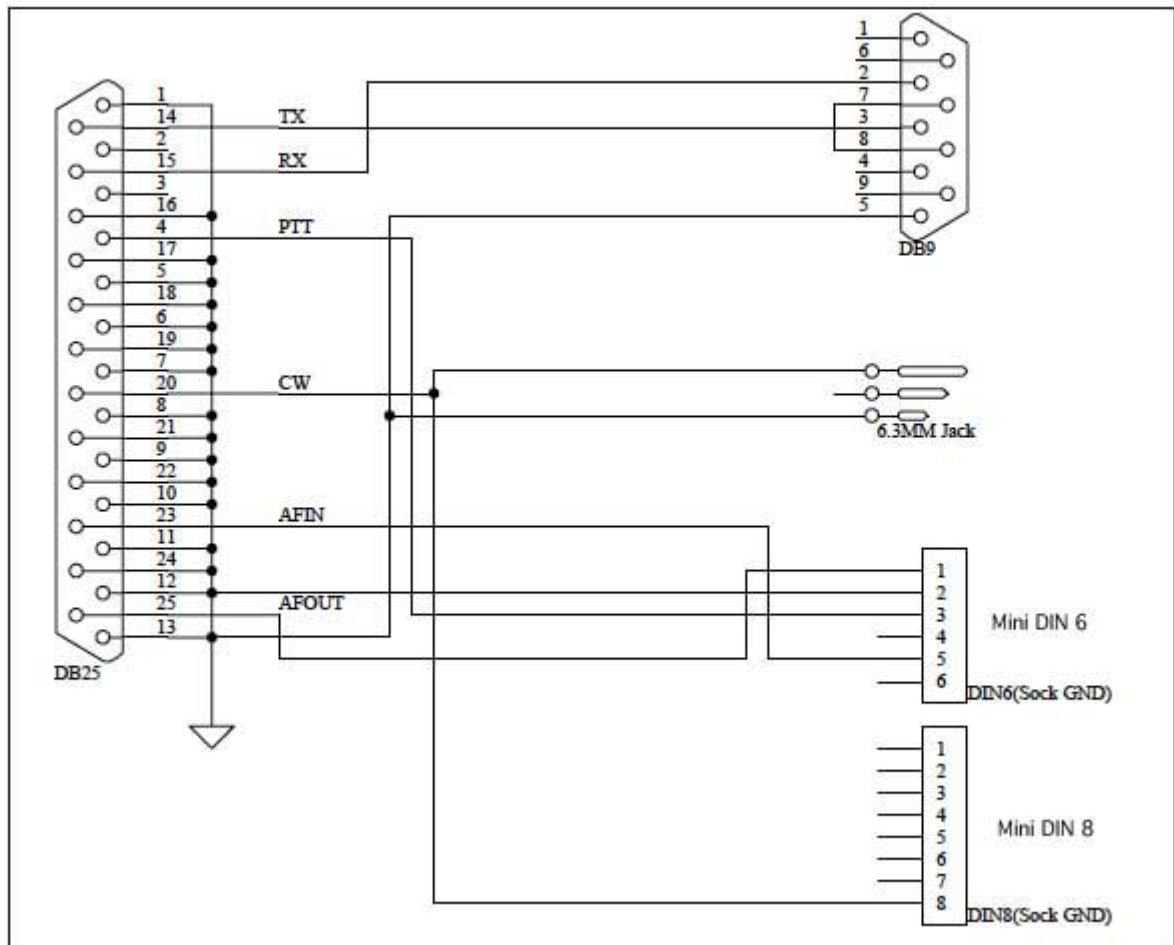
TS-570, TS-2000

ACC-106 Kenwood 13-DIN

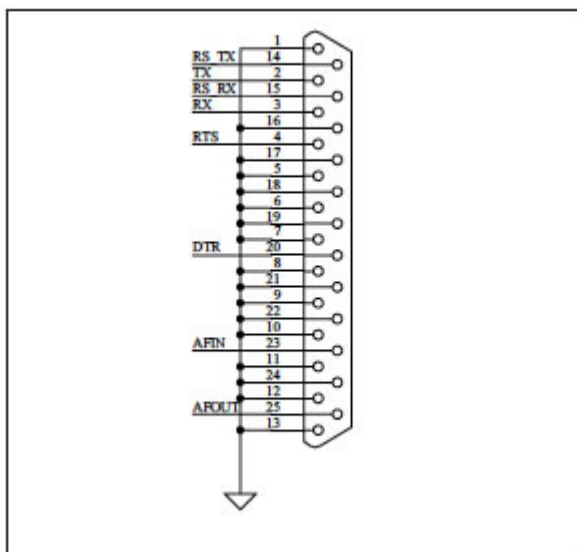


TS-480(SAT, HX)

ACC-107 Kenwood MDIN



SB-2000 DB-25 plug definition



RS TX/RX

TX/RX function (from computer) in RS-232 protocol. It's used by Yaesu or Kenwood for those CAT rig control in RS-232 protocol.

TX/RX

TX/RX function (from computer) in TTL protocol. Both CI/V and CAT use this way.

RTS/DTR

Output control. For most ham radio software setting, RTS is used for PTT and DTR is used for CW/FSK.

AF IN/OUT (Computer sound card based)

AF IN is the audio from transceiver. AF OUT is the audio to transceiver .

Notice:

The earlier SB-2000 only supports up to 14400bps which is fast enough for most rig control operation. And it's more stable than more higher speed. Please check your transceiver's manual for how to change the speed.

For some yaesu transceivers, if it can not be transmitted due to low AF-input level. Please check the transceiver's manual for increasing the AF level.

For Yaesu FT-2000, please go to Setting menu 029 GEnE CAT RTS, set it as OFF. Then you can use CAT function properly.

For Yaesu FT-450, please go to Setting menu CAT RST, set is as DISABLE. Then you can use CAT function properly.

Alle Informationen ohne Gewähr!