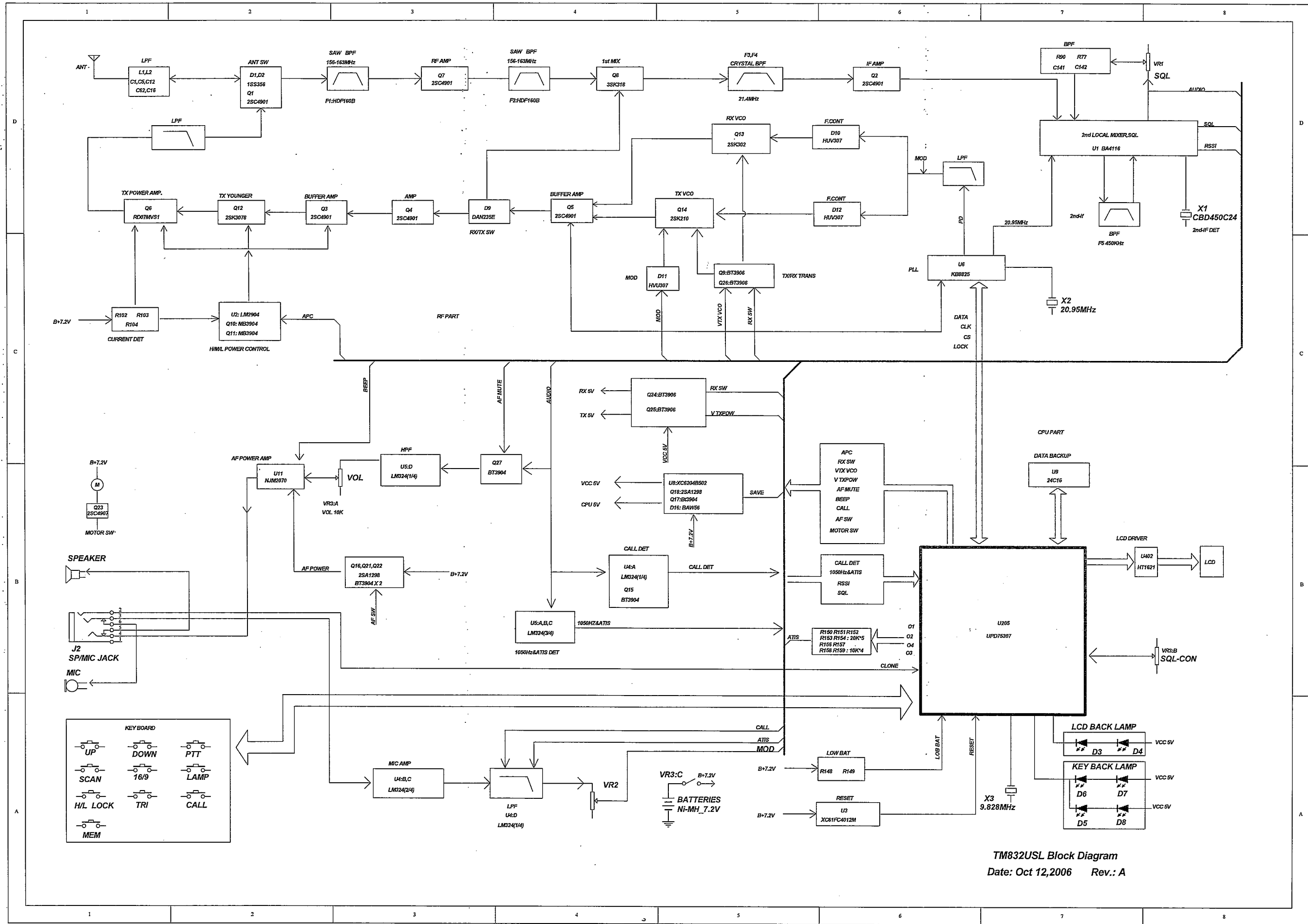


TM832USL Schematic Diagram
Date: Oct 12, 2006 Rev.: A



TM832USL Block Diagram
Date: Oct 12, 2006 Rev.: A