

Optional radial coil for CP6

R-1(3.575-3.650MHz)

R-2(3.650-3.725MHz)

Operation Instructions

Part list

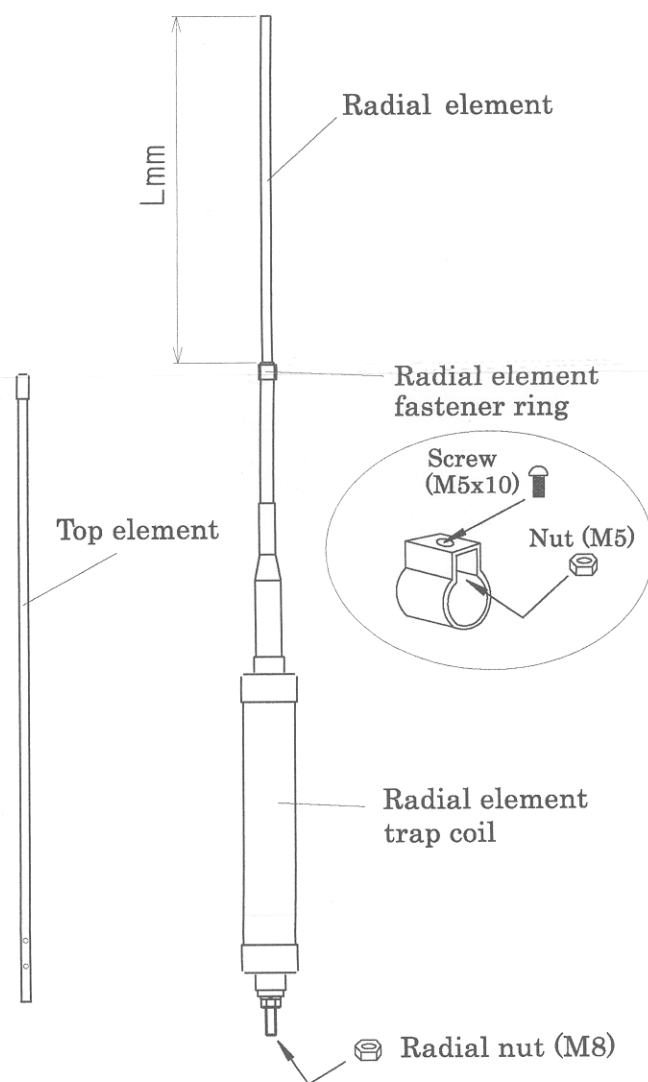
1.	Radial element trap coil	1
2.	Radial element	1
3.	Radial element fastener ring	1
4.	Screw (M5x10)	1
5.	Nut (M5)	1
6.	Radial nut (M8)	1
7.	Top element	1

How to fix

1. Loose hex head screw(M6x8) of upper feedpoint assembly and remove pipe No.1.
2. Remove pipe No. 2 from single element trap coil assembly. Fix top element instead of pipe No.2.
3. Return pipe No. 1 to feedpoint assembly. Fix it with hex head screw(M6x8).
4. Put radial element in radial element trap coil and fix it with screw and nut. Make the element length L (refer to the figure) approx. 550mm.
5. Remove the radial element trap coil for 3.5MHz(original) and fix the radial element assembled(R-1/R-2). (Align water drain hole downward.)
6. Adjustment is done by adjusting the length of the radial element. (Frequency adjustment: 35mm/10KHz)

*For further details, please refer to the operation instruction of CP6.

Part Description



DIAMOND ANTENNA CORPORATION

Miyata Building, No. 15-1, 1-chome Sugamo, Toshima-ku Tokyo, Japan 170-0002 TEL.03-3947-1411 FAX.03-3944-2981
Home Page <http://www.diamond-ant.co.jp> / Email: overseas@diamond-ant.co.jp