



INSTRUCTION MANUAL

ORDER NO. 122

Coax Arm HG-COA

GENERAL DESCRIPTION

The coax arm is 24" long and is designed to keep coax cables, rotator cables, etc. from being damaged while the crank-up towers are being raised or lowered.

Each arm is clamped at the top of each tower section by a U-bolt. This allows the coax arm to be used on tower legs up to 1¹/₂" in diameter and will fit all Hy-Gain towers as well as many other models. It is recommended that one coax arm be used for each tower section.

INSTALLATION AND ASSEMBLY

The most important thing to remember is to stagger the placement of all arms around the tower structure.

DO NOT install the coax arms directly over each other.

This staggering method will allow the coax to loop easier without damage.

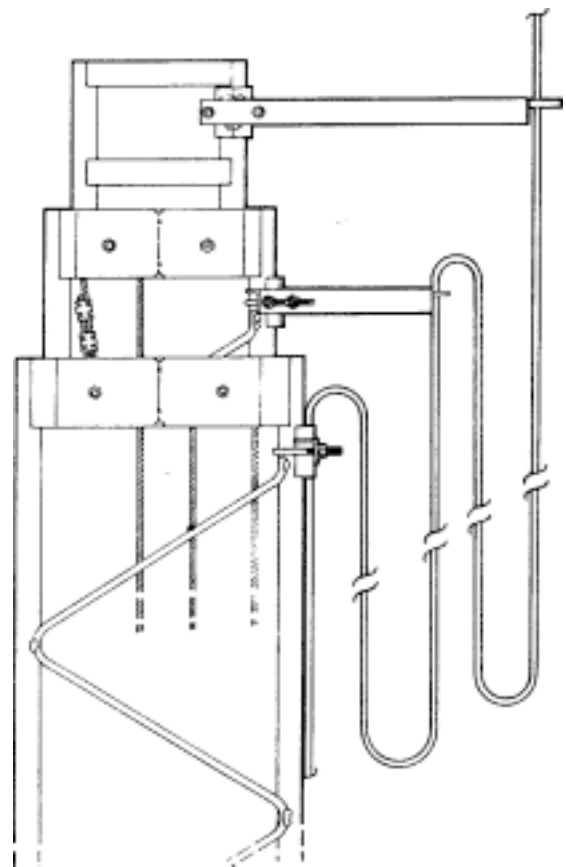


Figure 1 Overall Installation

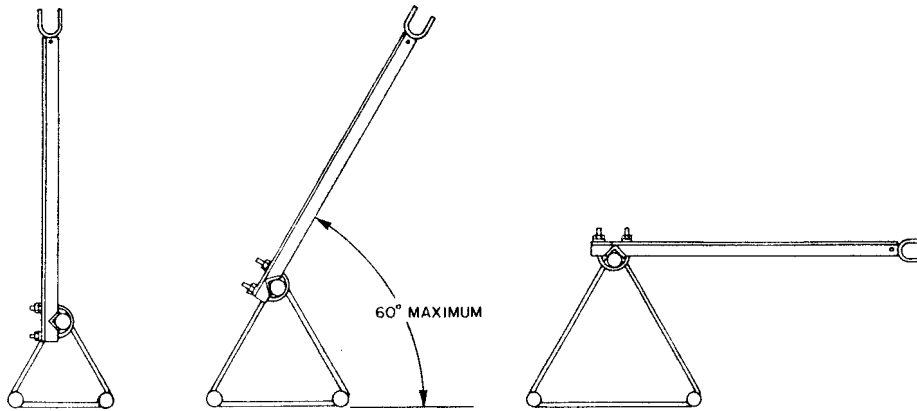
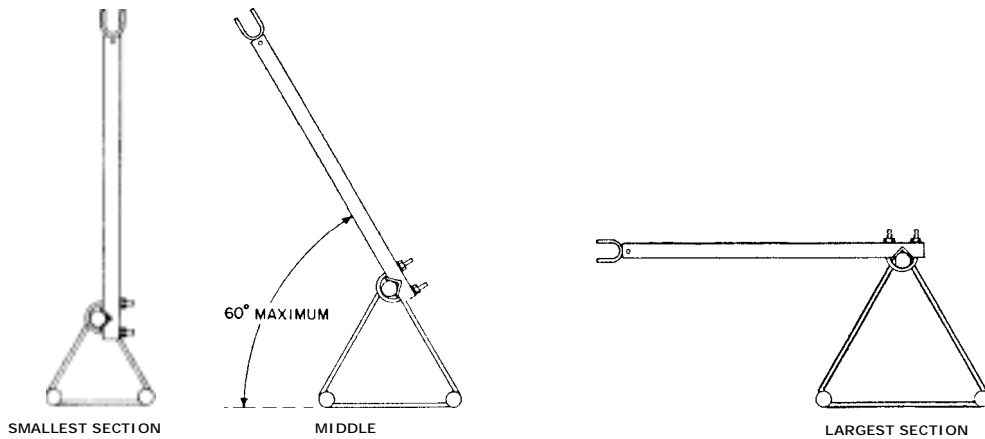


Figure 2 Proper Placement

Attach the coax arm to the smallest tower section as shown in Figure 2.

Each remaining coax arm is attached the same way. Make sure the end of the arm does not extend into the tower sections.

This will prevent the tower sections from extending properly and may damage your system.

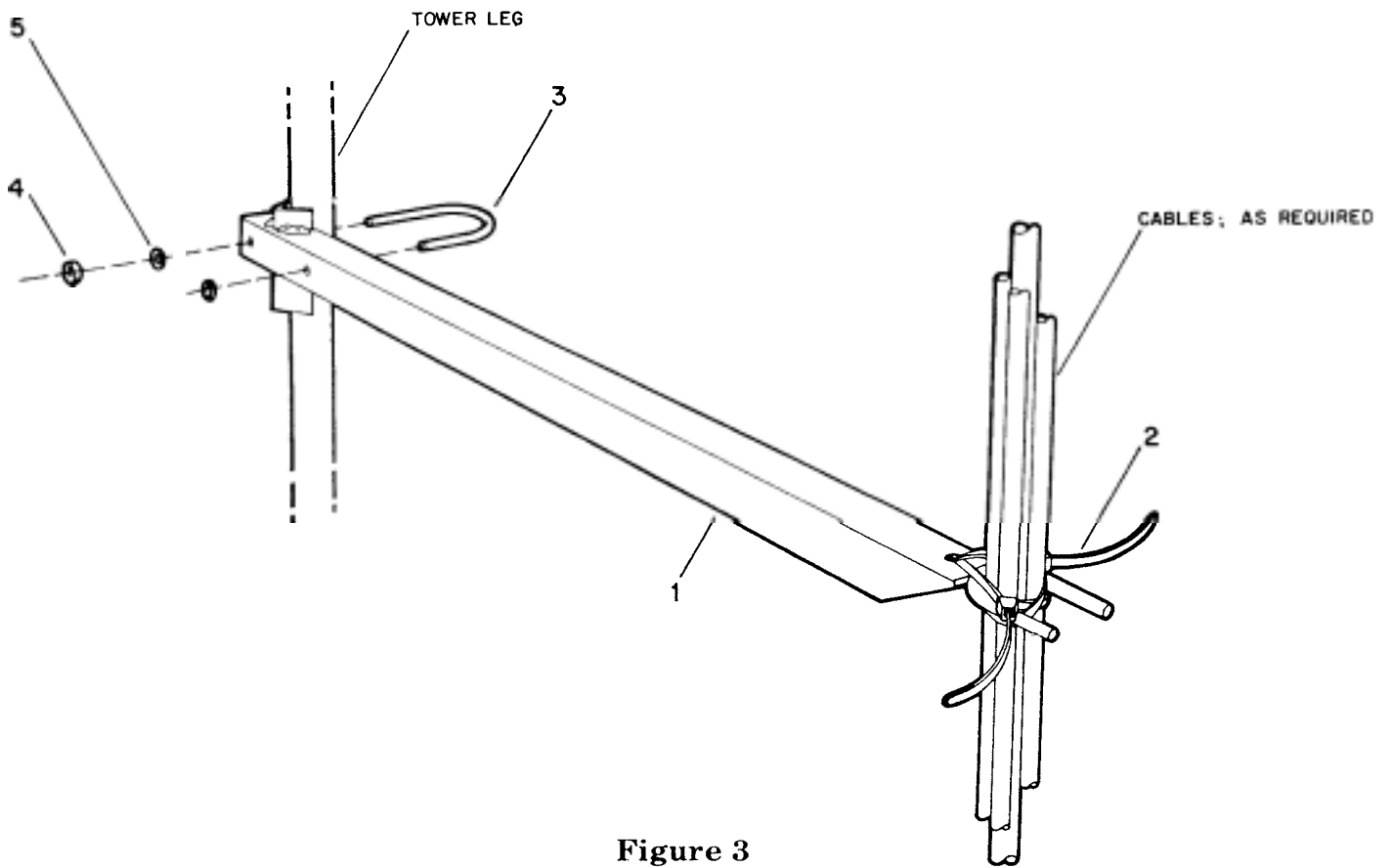
Refer to Figure 2 for proper installation.

The coax should be run through the loop at the end of the coax arm.

Measure each tower section and add 18 to 24 inches to the coax before tying the coax fast to each coax arm. There should be a loop of coax in each section. Refer to Figure 3.

Allow the coax to loop around its top of the tower. There should be just enough coax to allow the rotator to turn the antenna one and one half turns in any one direction. See Figure 4.

Inspect coax monthly for cuts or nicks in the insulating jacket.



**Figure 3
Coax Arm Installation**

**PARTS LIST
Product 122**

Item No.	Part No.	Description	Qty
1	880120	Coax Arm Assembly	1
	871144	Parts Pack	1
2	451431	Black Tie Wrap	2
3	542174	U-bolt, 1/4" - 20 x 1 1/2"	1
4	556960	Nut, 1/4" - 20, hex	2
5	567115	Lockwasher, 1/4" split	2

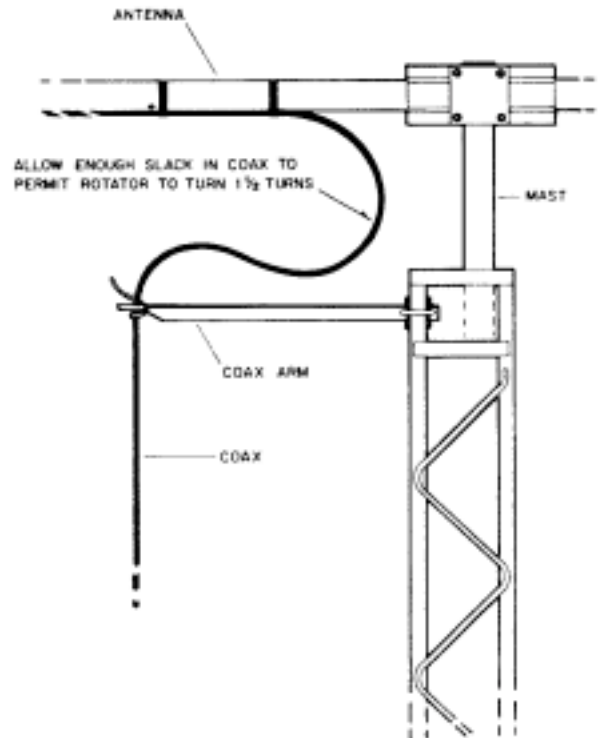


Figure 4 Coax Attachment to Coax Arm