

BASE STATION

HS-FOX727

DUAL BAND YAGI ANTENNA



***** INSTRUCTION MANUAL *****

NOTE PLEASE READ ALL INSTRUCTIONS BEFORE ASSEMBLY

FEATURE

- (1) Dual band for 2m/70cm.
- (2) Independent element type ensures a nice gain and performance in comparison with Mono band.
- (3) Light weight, compact and easy to install and re-assemble.

SPECIFICATIONS

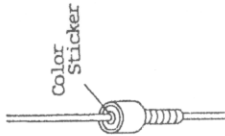
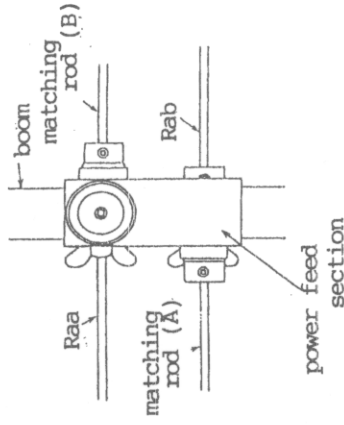
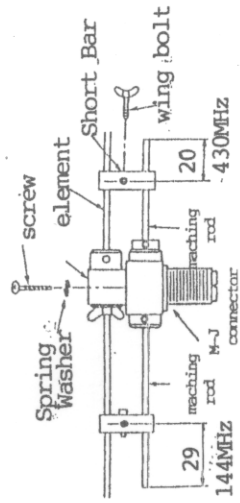
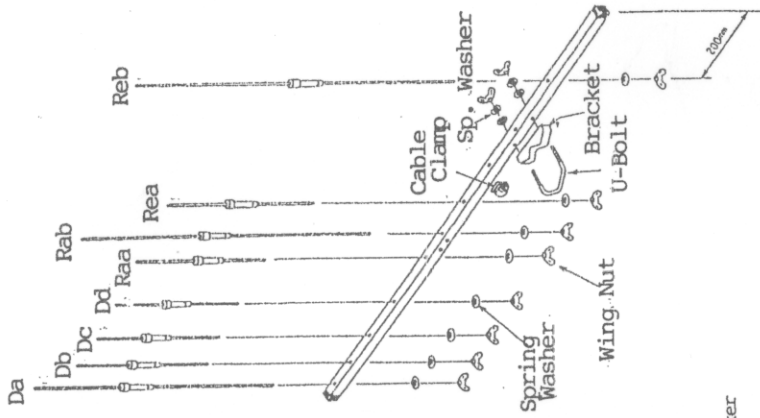
Type	3-Elements YAGI (145MHz) 5-Elements YAGI (435MHz)
Frequency	144-146 / 430-440MHz
Gain	9.5dBi / 11.15dBi
Power input	50 watts (FM) max.
Impedance	50 Ω
FB ratio	more than 12dB
Boom length	1,130 m/m
Connector	M - J
Suitable Mast	25 - 43 m/m diameter
Weight	850 g

ASSEMBLING

- (1) Identify and arrange the 8-elements and the power feed unit of antenna see color chart.
- (2) Using flat washer and wing nut join each element and the power feed unit (with Ra and Rab) according to color code to boom.
- (3) Insert matching rod A & B into power feed unit.
A (longer bar) should be in the hole farthest from the SO-239 connector. B (shorter bar) should be in the hole closest to SO-239 connector. Using hex. wrench provided, tighten match rods in power feed unit with set screws. Attach shorting bars per diagram.
- (4) Refer to drawing and attach cable clamp on boom forward from location of U-bolt bracket and on the same side as the power feed unit.
- (5) Mount antenna on mast in either horizontal or vertically (offset if necessary when using a metal mast - see diagram)
- (6) Attach coax with PL-259 connector to power feed unit and insert coax into clamp. Use electrical tape or wire ties to secure coax along boom.

VSWR ADJUSTMENT

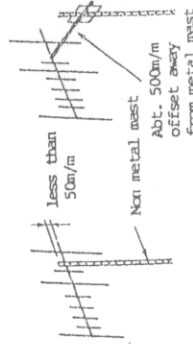
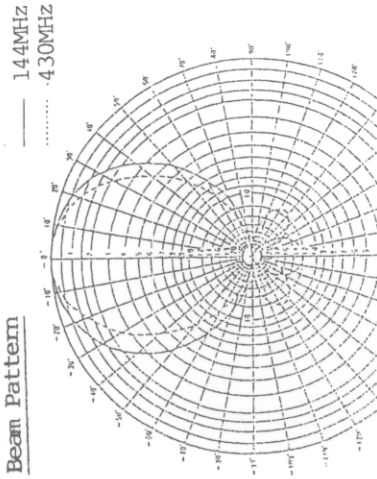
- (1) Adjust VSWR at center frequency of each band. Move shorting bar further from connector to raise center frequency where VSWR is optimum.
- (2) Be sure wing nut assembly is tightened on the shorting bar.



ELEMENTS COLOR CHART

Element (Da)	932mm	RED
Element (Db)	310	BLUE
Element (Dc)	312	YELLOW
Element (Dd)	316	WHITE
Element (Ra)	330	BLACK
Element (Rab)	952	GREEN
Element (Rea)	380	ORANGE
Element (Reb)	1,044	BROWN

Beam Pattern



Hokushin Industry Co., Ltd.,
Hanamigawa-ku, Chiba City,
Chiba-Pref., Japan.