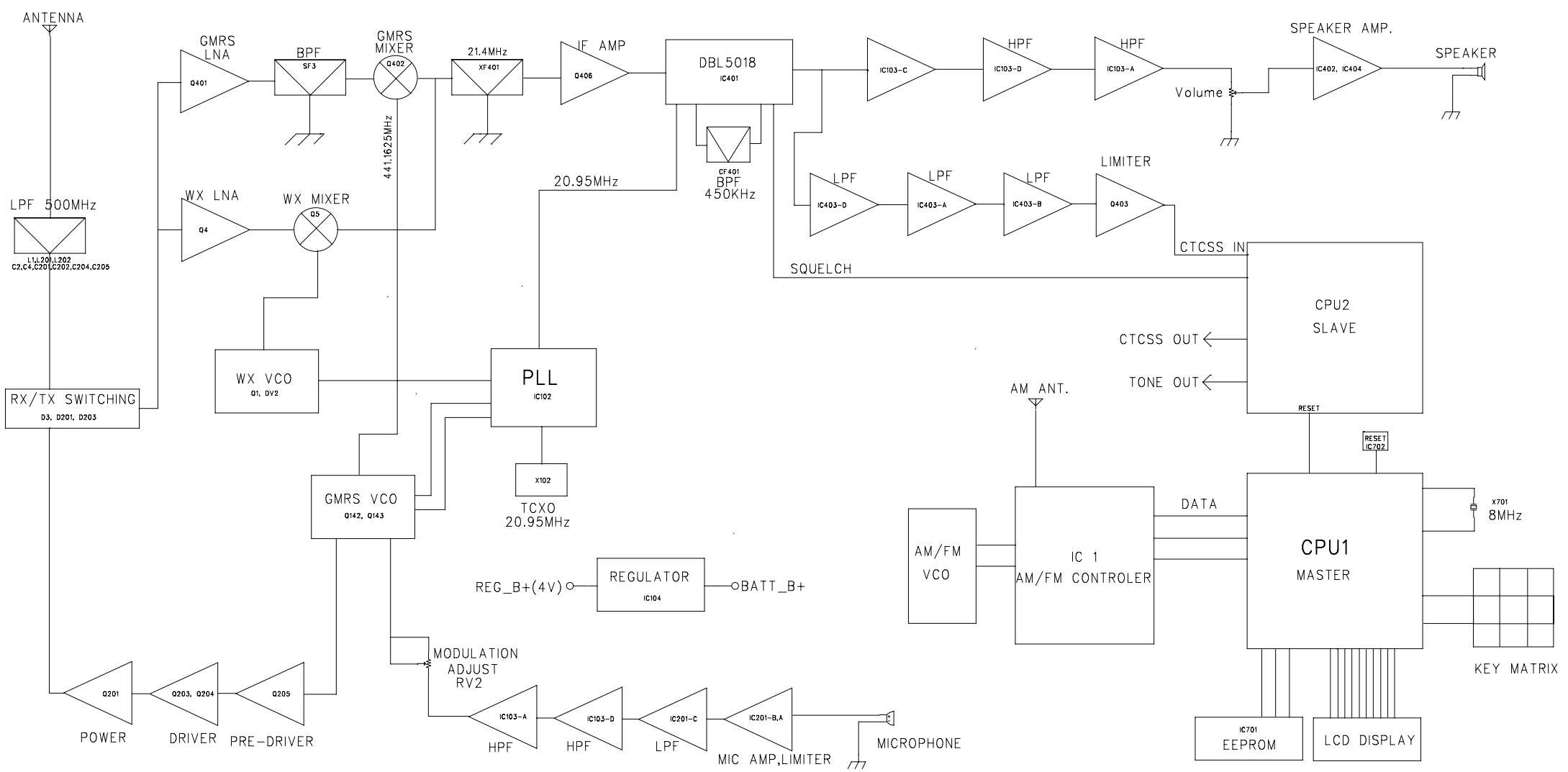


BASE CAMP446 BLOCK DIAGRAM



BLOCK DIAGRAM				
Title	Base Camp446			
Drawn	Sheet	Drawing No	PCB No	REV
				X0